

Higher Quality & Fully Automated Honing Process Leads to a Quick Return on Your Investment...



The control panel contains the touch screen, the adjustments for the drive travel pressure, drive travel speed, and the honing head rotation speed. The control panel also includes gauges for the different settings, including the honing fluid pressure and the hydraulic pump pressure.



The PLC and the patent-pending constant-torque clutching mechanism is the key advantage of the HONIX 15/20 that allows the operator free to perform other shop tasks while waiting for the honing process to complete.

CONSUMABLES

Hydraulic Oil	Multi Grad 32/10 Gal
Honing Oil	20 Gal
Honing Head	ANR160A
Fuse	FRZATDR30 GLS/600V/30A (#3)
Fuse	7A (#1)
Fuse	3A (#3)
Filter	Paper media coolant (#2)
Oil Filter (Power Unit)	Buyers HFA51025

TECHNICAL SPECIFICATIONS

Voltage	410 V, 10Hp, 3Ph, 50/60 HZ, 30A
Max Travel	15 /20 ft
Max Travel Speed	50 ft/min
Bore Range	3.5"-21"
Max Honing Torque	100 ft/lb
Max Spindle Speed	200 rpm

HONING MACHINE

FULLY AUTOMATED TUBE HONING

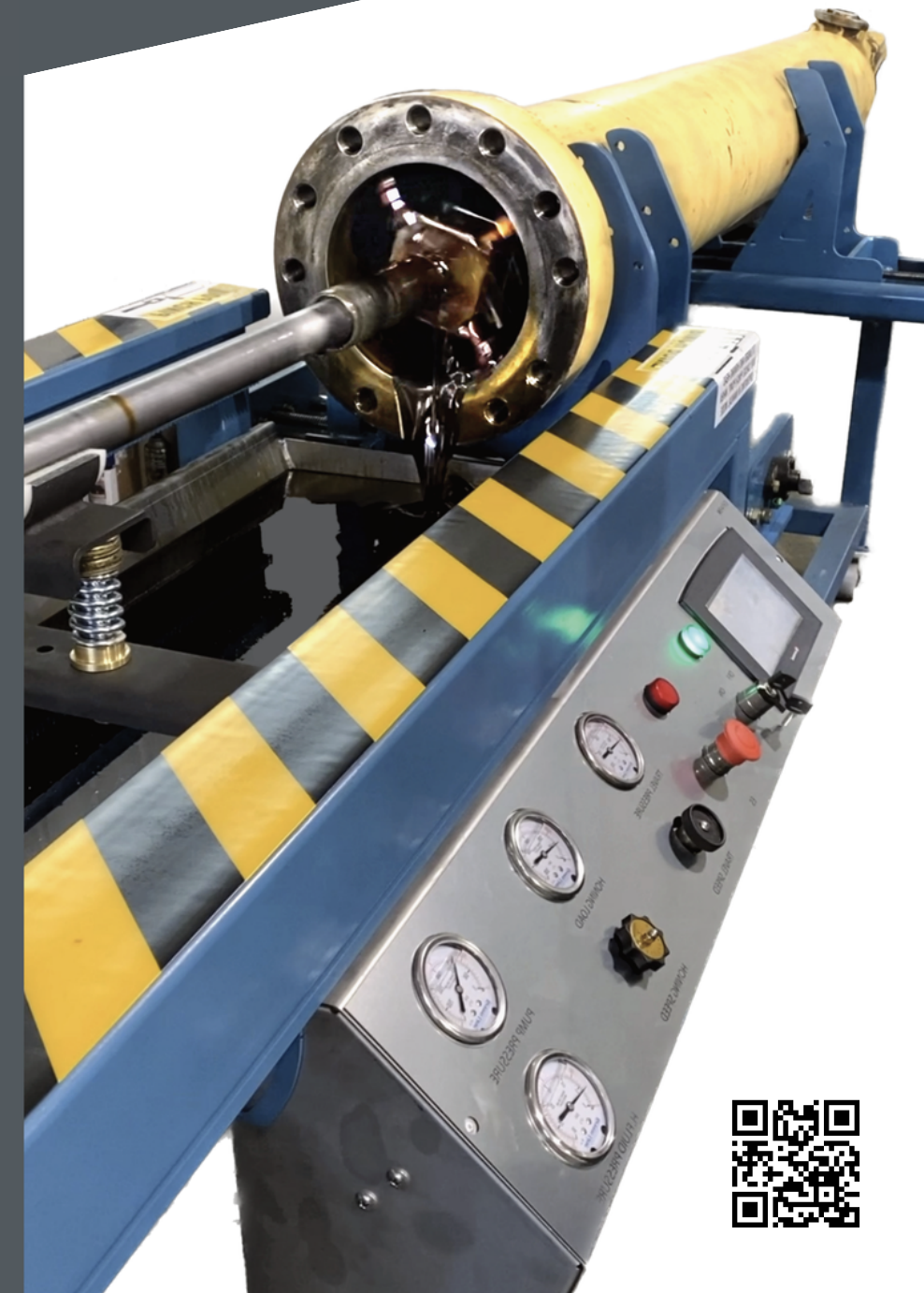
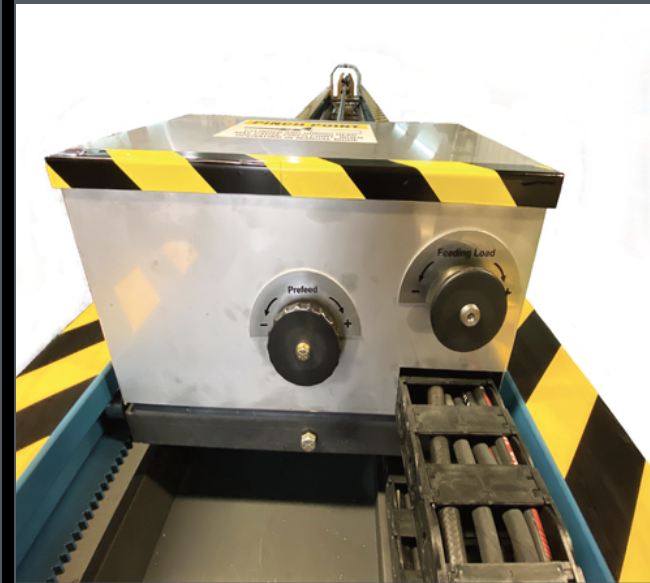
HONIX15 / HONIX20

The HONIX15/20 is innovative and revolutionary, making it stand out from other honing machines in the hydraulic repair industry. It is designed by experienced engineers who removed the hassles in the honing process. Use the HONIX15/20 to increase the quality and productivity of your operation.



HYDRAULITECHS

POWER UP
YOUR HYDRAULIC
OPERATION



“Hydraulitechs is very easy to deal with, and they were generous going the extra mile. We are very pleased with our purchase, and we are now saving maney...as well as saving our backs!”

-Wayne Bueckert, Industrial Surface Technologies.



HYDRAULITECHS

2215 Faithfull Ave, SK S7K 1T8,
Saskatoon, Canada

(P) +1-306-683-1960

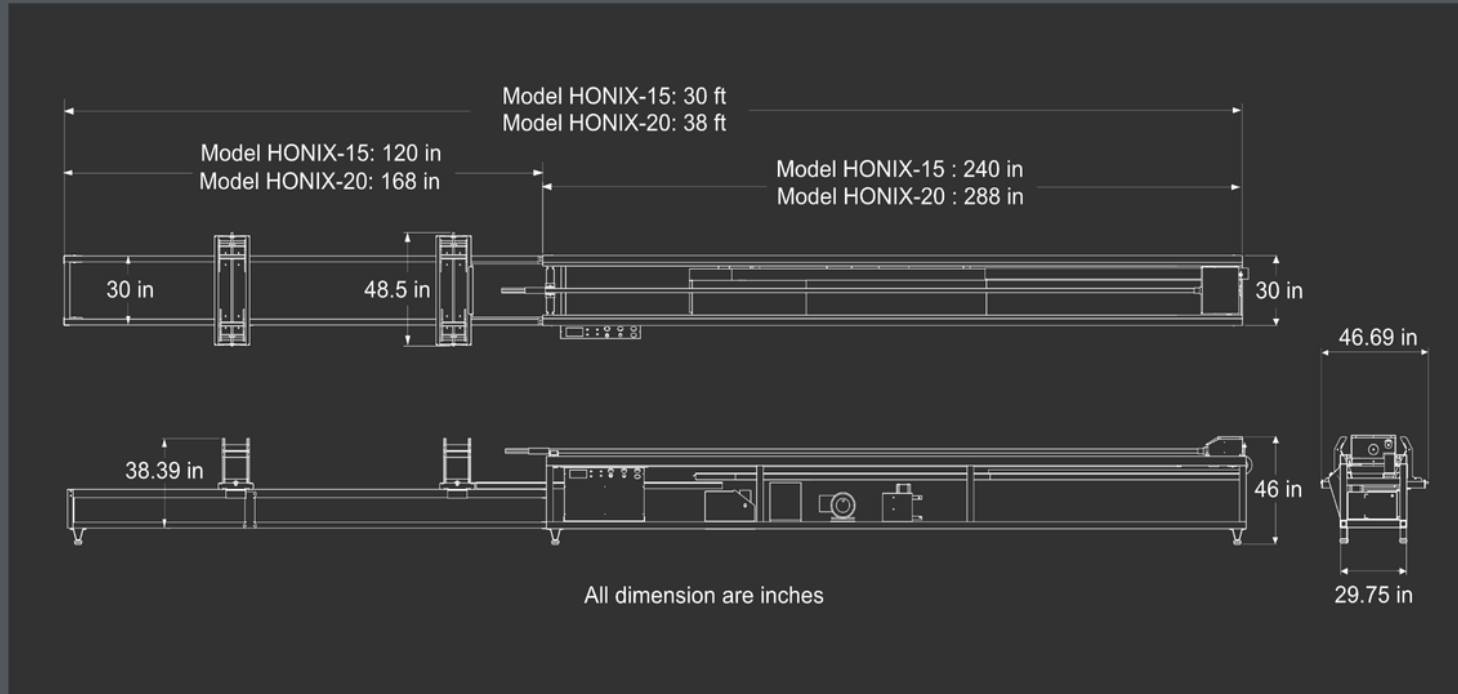
(E) contact@hydraulitechs.com

(W) www.hydraulitechs.com



INNOVATIVE DESIGN

The HONIX 15/20 is a fully automated honing machine with electric over hydraulic design. The hydraulic power unit is mounted below the frame that drives two hydraulic motors for the stroker and the honing head. The honing oil centrifugal pumping system directly feeds the oil to the abrasive head media via the drive and feed assembly. This innovative design does not require connecting a hose to lubricate the tube. The Operator can start honing without maintaining proper feed during the honing process. This is possible through a patent-pending constant-torque clutching mechanism. The used honing oil is recycled through a 3-stage filtration process, thereby preventing galling between the work piece and the tool. This ensures maximum cutting rates, long abrasive media life, and quality results.



FEATURES

- 1. HYDRAULIC OVER ELECTRIC DESIGN**
This design enables instant reversal of the stroker at each stroke end. This design provides adjustable stroke speed, spindle speed, and stroke pressure.
- 2. PLC CONTROLLED WITH COLOUR TOUCH SCREEN**
Many features of the machine are controlled via the PLC-controlled system. The touch screen shows factors like cycles, feed speed, and the load graph.
- 3. LOAD GRAPH DISPLAY**
The load along the honing shaft will be graphed during the strokes. This helps indicate the locations of the tight bore spots.
- 4. SELF-CENTERING MECHANISM AND WORK HOLDING SYSTEM**
Regardless of the tube size, this system allows rapid setup and ensures the tube is centred after clamping.
- 5. AUTO HONING OIL FEEDING SYSTEM**
The honing oil is directly fed to the abrasive head media via the drive assembly.
- 6. LOAD STABILIZER SYSTEM**
The system balances the weight of the honing head. This results in a smooth and precise product.
- 7. HIGH QUALITY HONING OIL FILTRATION**
The 3-stage filtration system includes magnets and paper media coolant filtration.
- 8. STANDARD HONING HEAD, STONE SUPPORTS**
The use of a standard honing head, such as the ANR160A, ensures your business has ease of access to stone supports and abrasives.
- 9. HONING STROKE LENGTH ADJUSTMENT**
There are two limit switches, which are triggered by stoppers. These stoppers are set depending on tube length.
- 10. MANUAL STROKER**
The manual stroker is available on the PLC to allow the operator to move the honing tool over the stroke length, to set the ends of the stroke during the setup process.
- 11. AUTO TENSIONING SYSTEM AND ADJUSTABLE LOAD WHEEL**
The tensioner ensures the honing media remains in constant pressure contact with the tube during the entire honing process.
- 12. REMOTE PRE-FEED WHEEL**
Allows the operator to engage/disengage the honing stones with the bore.

